

# OPERATING INSTRUCTIONS & PARTS MANUAL

**AirKing**  
Ventilation Products®

**18" PEDESTAL FAN**  
18" (45.7 cm) MODEL 9418

## READ AND SAVE THESE INSTRUCTIONS

READ CAREFULLY BEFORE ATTEMPTING TO ASSEMBLE, INSTALL, OPERATE OR MAINTAIN THE PRODUCT DESCRIBED. PROTECT YOURSELF AND OTHERS BY OBSERVING ALL SAFETY INFORMATION. FAILURE TO COMPLY WITH INSTRUCTIONS COULD RESULT IN PERSONAL INJURY AND/OR PROPERTY DAMAGE!

### RETAIN INSTRUCTIONS FOR FUTURE REFERENCE.

#### DESCRIPTION

The AirKing 18" (45.7 cm) pedestal fan features 3-speed rotary knob operation with a 3-paddle fan blade and variable height adjustments. This fan has a permanently lubricated motor with a 9 ft. (2.74 m) 18/3 cord set and is constructed of sturdy, powder coated steel.

#### SPECIFICATIONS

Motor ..... 120 V, 60 Hz  
Blade diameter ..... 18" (45.7 cm)  
Speeds ..... 3  
Control ..... Rotary Switch  
Air flow distribution ..... 360°  
Approvals ..... UL Listed. Close mesh fan guard meets OSHA requirements.

#### GENERAL SAFETY INFORMATION

**When using electrical appliances, basic precautions should always be followed to reduce the risk of fire, electric shock and injury to person, including the following:**

1. Read all instructions before using Fan.
2. Make certain that the power source conforms to the electrical requirements of the Fan.
3. Use this Fan only as described in this manual. Any other use not recommended by the manufacturer may cause fire, electrical shock, or injury to persons.
5. Unplug power cord before installing, servicing, or moving the Fan.

**WARNING: DO NOT DEPEND UPON THE ON-OFF SWITCH AS THE SOLE MEANS OF DISCONNECTING POWER WHEN INSTALLING OR SERVICING THE FAN. ALWAYS UNPLUG THE POWER CORD.**

6. This Fan must NOT be used in potentially dangerous locations such as flammable, explosive, chemical-laden or wet atmospheres.
7. The power cord is equipped with a three-prong grounded plug that must be inserted into a matching receptacle. Under no circumstances must the grounding prong be cut off the plug. Where a two-prong wall receptacle is encountered, it must be replaced with a properly grounded three-prong receptacle installed in accordance with the National Electrical Code (NEC) and all applicable local codes and ordinances. This work must be done only by a qualified electrician, using copper wire only.

**WARNING: USE OF A THREE-PRONG TO TWO-PRONG ADAPTER IS NOT RECOMMENDED. IMPROPER CONNECTION MAY CREATE THE RISK OF ELECTROCUTION. USE OF SUCH ADAPTERS IS NOT PERMITTED IN CANADA.**

**WARNING: THIS PLUG IS A SAFETY FEATURE. TO REDUCE THE RISK OF FIRE, ELECTRIC SHOCK AND PERSONAL INJURY, DO NOT REMOVE, REPLACE, REPAIR OR TAMPER WITH THE ORIGINALLY SUPPLIED PLUG. IF THE FAN DOES NOT FUNCTION PROPERLY,**

**IT MAY BE DUE TO THE SAFETY DEVICE INCORPORATED IN THIS PLUG. RETURN TO AN AUTHORIZED SERVICE CENTER OR CALL 800-233-0268, MONDAY - FRIDAY, BETWEEN 8:00 AM AND 5:00 PM EST IF THE PLUG WARNING LABEL IS MISSING OR DAMAGED, CALL THE TOLL FREE NUMBER FOR A REPLACEMENT LABEL.**

8. Where possible, avoid the use of extension cords. If they must be used, minimize the risk of overheating by ensuring that they are UL listed. Never use a single extension cord to operate more than one Fan.
9. Do not operate any Fan with a damaged cord or plug after the Fan malfunctions, has been dropped or damaged in any manner. Return Fan to authorized service facility for examination, electrical or mechanical adjustment or repair.
10. Do not insert or allow fingers or foreign objects to enter any ventilation or exhaust opening as it may cause an electric shock, fire, or damage the Fan. Do not block or tamper with the Fan in any manner while it is in operation.
11. Always place the Fan on a stable, flat, level surface when operating, to avoid the chance of the Fan overturning. Locate the Power Cord so the Fan or other objects are not resting on it. Do not run Power Cord under carpeting. Do not cover Power Cord with throw rugs, runners, or the like. Arrange Power Cord away from room traffic and where it will not be tripped over.
12. This Fan is not intended for use in wet or damp locations. Never locate a Fan where it may fall into a bathtub or other water container.
13. Do not use Fan outdoors.

**WARNING: REDUCE THE RISK OF FIRE OR ELECTRIC SHOCK – DO NOT USE THIS FAN WITH ANY SOLID STATE SPEED CONTROL DEVICES.**

## SAVE THESE INSTRUCTIONS

#### ASSEMBLY

##### TOOLS REQUIRED FOR ASSEMBLY

- Hex Wrench (Supplied in Parts Bag)

**NOTE: ALL HARDWARE REFERRED TO IN THE INSTRUCTIONS MAY BE FOUND IN THE SUPPLIED PARTS BAG.**

1. Lay Fan Head on flat surface, so the front side is facing down. Hold Yoke so the side with the nut is facing up. Loosely attach one Grill Knob and one Rubber Spacer to the Head Assembly. Attach the other Grill Knob and Rubber Spacer to the Head Assembly and FIRMLY tighten. Return to the first Grill Knob and FIRMLY tighten. (Figure 1)

**NOTE: THE UPPER PIPE HAS 2 BUMPS, ONE AT EACH END. THE BUMP CLOSER TO THE END OF THE PIPE INDICATES THE TOP. THIS END FITS INTO THE YOKE.**

2. Make sure Bump on Upper Pipe is aligned with formed section of Yoke. Insert Upper Pipe into Yoke. To ensure fit is tight, twist Upper Pipe until it is tight inside of Yoke. (Figure 1)

**NOTE: THE UPPER PIPE SHOULD FIT COMPLETELY INSIDE OF THE YOKE.**

# MODEL 9418

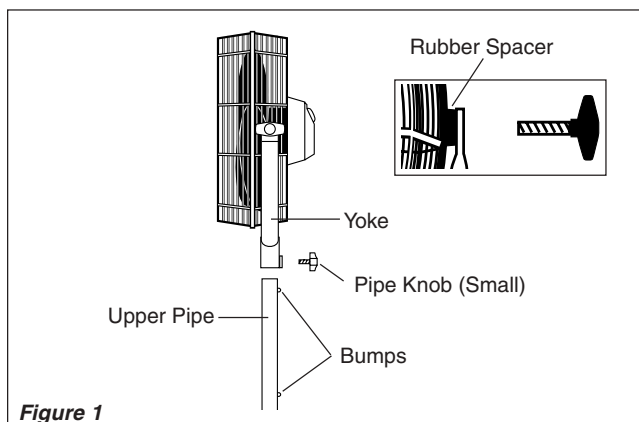


Figure 1

3. Attach Lower Pipe to Base using Bolt and Split Lockwasher. (Figure 2) FIRMLY tighten with supplied Hex Wrench.

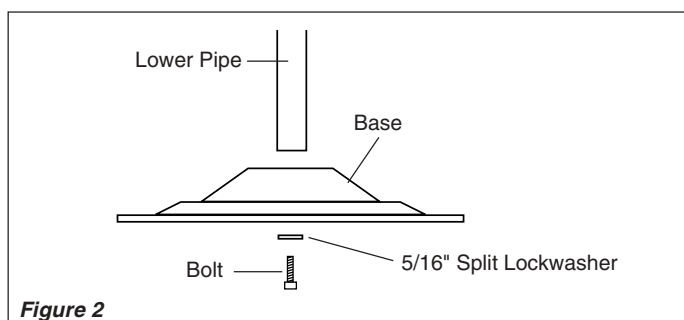


Figure 2

**CAUTION: TO AVOID INJURY, MAKE SURE UPPER PIPE/FAN HEAD IS SUPPORTED WHEN INSERTING INTO BOTTOM PIPE OR ADJUSTING HEIGHT.**

4. Make sure Bump on Upper Pipe is aligned with formed section of Lower Pipe. Insert Upper Pipe/Fan Assembly into Lower Pipe and allow it to slide to the bottom of the Lower Pipe. Screw a

Pipe Knob into Lower Pipe until it loosely touches the Upper Pipe. Raise Upper Pipe/Fan Assembly to desired height and FIRMLY tighten Pipe Knob.

## OPERATION

1. To Adjust Height: While holding Top Pipe and Fan Head firmly, loosen Lower Pipe Knob. Adjust Fan up or down to desired height and FIRMLY retighten Pipe Knob.

**CAUTION: LAY FAN ON ITS SIDE OR HOLD TOP OF FAN FIRMLY WHEN ADJUSTING HEIGHT. INJURY MAY OCCUR IF FAN IS NOT SUPPORTED.**

2. To Adjust Head Angle: While holding Head firmly, loosen Grill Knobs on each side of the Yoke (turn counterclockwise). Tilt Head to desired position and FIRMLY retighten Grill Knobs.

3. To Operate: Plug cord into a grounded 120 V, 60 Hz outlet. Select desired operating speed with Selector on back of Fan.

4. **WARNING:** This fan should be used only in a clean, dry environment. Mounting of this product in any way other than specified in the instruction sheet will null and void the manufacturer's warranty.

## MAINTENANCE

**WARNING: ALWAYS UNPLUG THE CORD BEFORE SERVICING.**

**CLEANING:** Use a soft cloth and a mild soap solution such as liquid dish washing detergent.

**CAUTION: Do not use gasoline, benzene, thinner, harsh cleaners, etc. which will damage the fan.**

Dry all parts with a soft cloth completely before reconnecting to power supply.

**STORAGE:** When not in use, keep unit in a clean dry place.

**MOTOR IS PERMANENTLY LUBRICATED.**

## LIMITED WARRANTY

**AIRKING THREE-YEAR LIMITED WARRANTY.** Products are warranted by AirKing to the original user against defects in workmanship or materials under normal use for three years on the motor and one year on all other parts, after date of purchase. Any part which is determined by AirKing to be defective in material or workmanship and returned to an authorized service location, as AirKing designates, shipping costs prepaid, will be, as the exclusive remedy, repaired or replaced at AirKing's option. For limited warranty claim procedures, see PROMPT DISPOSITION below. This limited warranty gives purchasers specific legal rights which vary from state to state.

**LIMITATION OF LIABILITY.** To the extent allowable under applicable law, AirKing's liability for consequential and incidental damages is expressly disclaimed. AirKing's liability in all events is limited to, and shall not exceed, the purchase price.

**WARRANTY DISCLAIMER.** AirKing has made a diligent effort to illustrate and describe the products in this literature accurately; however, such illustrations and descriptions are for the sole purpose of identification, and do not express or imply a warranty the products are merchantable, or fit a particular purpose, or that the products will necessarily conform to the illustrations or descriptions. Except as provided below, no warranty or affirmation of fact, expressed or implied, other than as stated in "LIMITED WARRANTY" above is made or authorized by AirKing.

**PRODUCT SUITABILITY.** Many states and locations have codes and regulations governing sales, construction, installation, and/or use of products for certain purposes, which may vary from those in neighboring areas. While AirKing attempts to assure that its products comply with such codes, it cannot guarantee compliance, and cannot be responsible for how the product is installed or used. Before purchase and use of a product, please review the product application, and national and local codes and regulations, and be sure that the product, installation, and use will comply with them.

Certain aspects of disclaimers are not applicable to consumer products; e.g., (a) some states do not allow the exclusion or limitation of incidental or consequential damages, so the above limitation or exclusion may not apply to you; (b) also, some states do not allow limitations on how long an implied warranty lasts, consequently the above limitation may not apply to you; and (c) by law, the period of the Limited Warranty, and implied warranties of merchantability or fitness for a particular purpose applicable to consumer products purchased by consumers, may not be excluded or otherwise disclaimed.

**PROMPT DISPOSITION.** AirKing will make a good faith effort for prompt correction or other adjustment with respect to any product which proves to be defective within limited warranty. For any product believed to be defective within limited warranty, first write or call dealer from whom product was purchased. Dealer will give additional directions.